

LRX™ 0-20 RPM Rotator

1



1

**SPECIFICATIONS SUBJECT TO CHANGE WITHOUT NOTICE
FOR THE LATEST MANUAL VISIT “dwrightcrane.com”**

LRX™ 0-20 RPM Rotator

2



WARNING

**READ EQUIPMENT MANUFACTURERS
MANUAL BEFORE USING THIS PRODUCT**

INSTRUCTIONS

- Variable speed from 0 to 20 RPM.
- Maximum capacity: 600 pounds, balanced load.
- Load limit is not to be exceeded.
- Rotator weight: 340 pounds.
- Electrical: 208V - 3 phase - 30 amp
- Prior to operation a daily inspection and log are required.
- This unit is belt driven and must be leveled before assembly & operation.
- Rotator may be suspended from the four lifting points or the fork pockets.
- Installation must be designed and approved to safely carry all anticipated loads and must be mounted to a structure capable of supporting the total load being applied.
- Always use approved safety cables secured to a point capable of supporting the total weight of the load.
- When fork pockets are used, rotator must be positively secured to machine forks.
- Disconnect power when not in use or unattended.
- It is the user's responsibility and obligation to determine and comply with all applicable laws and regulations. User must be authorized, qualified and certified in jurisdiction of use.
- Operator must remain with and monitor the unit during use.
- Do not operate if unit or controller if it appears damaged.
- In case of malfunction disconnect all power supplies, discontinue use, notify supplier.
- Observe potential pinch points.
- If there are any concerns, please contact your supervisor

2

**SPECIFICATIONS SUBJECT TO CHANGE WITHOUT NOTICE
FOR THE LATEST MANUAL VISIT "dwrightcrane.com"**

LRX™ 0-20 RPM Rotator

- The installation, operation and servicing of this unit to be carried out by only authorized and qualified personnel.
- User must be authorized, qualified and certified in jurisdiction of use.
- Area under fixture must be cordoned off at all times and kept clear of all personnel.
- Ensure power supply is off when connecting to controller.
- Never operate with any covers removed.
- No personal within range of motion of the rotator during operation.
- Safe electrical and working practices must be observed.
- Use only the supplied motor speed controller or other compatible controller.
- No user serviceable parts.
- Unsure about anything or if you have questions, stop and contact Dwight Crane service representative before use.
- For the latest version of this manual please visit “dwrightcrane.com”



DANGER

- Unit must be used with the supplied speed controller, failure to do so may result in serious injury.
- Dangerous voltages are present when power is supplied to the unit.
- Disconnect all power supplies before installation or removal of unit.
- Ensure all power supplies are off when connecting or disconnecting any cabling.
- Power must be removed when not in use.
- Ensure unit meets all local codes prior to operation.
- Safety power lockout procedures must be followed.
- Safe electrical and working practices must be observed.
- Do not connect or disconnect when in motion.



WARNING

- This unit has rotating parts with pinch points.
- Unit may move without warning.
- No personal within range of motion
- Never operate with any covers missing.

**SPECIFICATIONS SUBJECT TO CHANGE WITHOUT NOTICE
FOR THE LATEST MANUAL VISIT “dwrightcrane.com”**

LRX™ 0-20 RPM Rotator

LRX 0-20 RPM ROTATOR SPECIFICATIONS

Motor:

- Volts - 208 VAC - 3 Phase
- Hertz - 60 Hz
- Amps - Maximum 30.0A

Physical:

- Weight - 340 pounds
- Maximum load capacity is 600 pounds, balanced.
- RPM: 0-20 approximate

TROUBLE SHOOTING GUIDE

ROTATOR DOESN'T RESPOND

- Check all cable and connections for damage and signs of moisture.
- Ensure power indicator is lit and power is being supplied by a non-dimmed line.
- Test with second controller if available.
- If problem persists, lock machine out and refer for service.

LRX™ 0-20 RPM Rotator

LRX 0-20 RPM ROTATOR

NOTES:

Variable speed from 0 to 20RPM.

Maximum capacity 600 pound balanced load. Load limit is not to be exceeded.

Rotator weight: 340 pounds.

Electrical: 208V - 3 phase - 30 amp

Prior to operation a daily inspection and log are required.

This unit is belt driven and must be leveled before assembly & operation.

Rotator may be suspended from the four lifting points or the fork pockets.

Always use approved safety cables secured to a point capable of supporting the total weight of the load.

When fork pockets are used, rotator must be positively secured to machine forks.

Disconnect power when not in use or unattended.

It is the user's responsibility and obligation to determine and comply with all applicable laws and regulations.

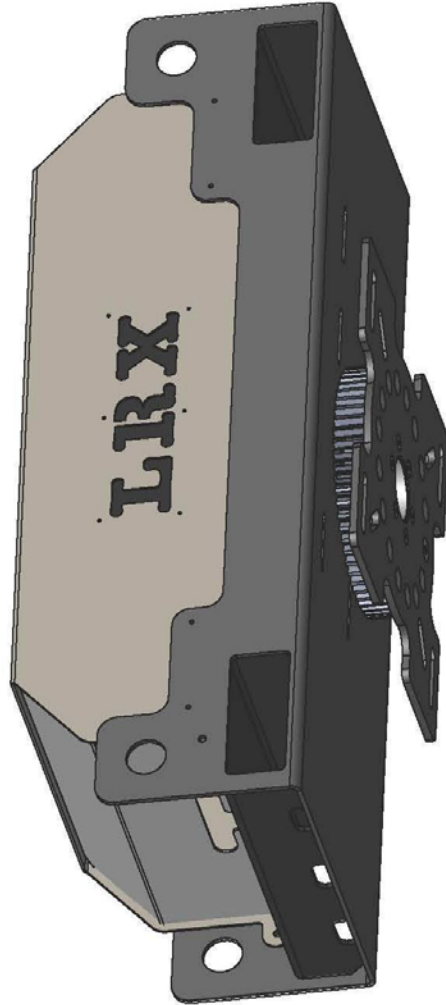
User must be authorized, qualified and certified in jurisdiction of use.

Operator must remain at, and monitor the unit during use.

Do not operate if unit or controller appears damaged.

In case of malfunction disconnect all power supplies, discontinue use, notify supplier.

Unsure about anything or questions, please contact representative before use.

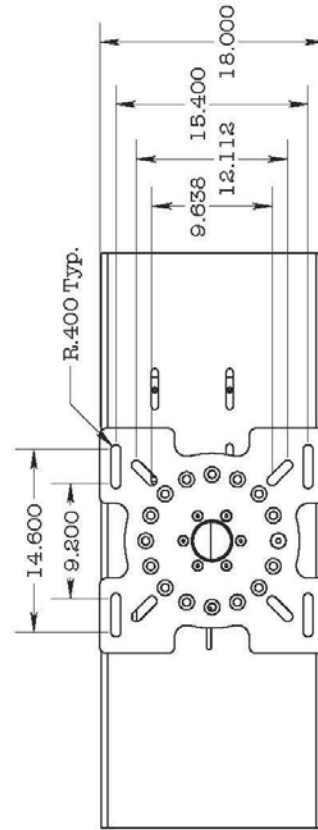
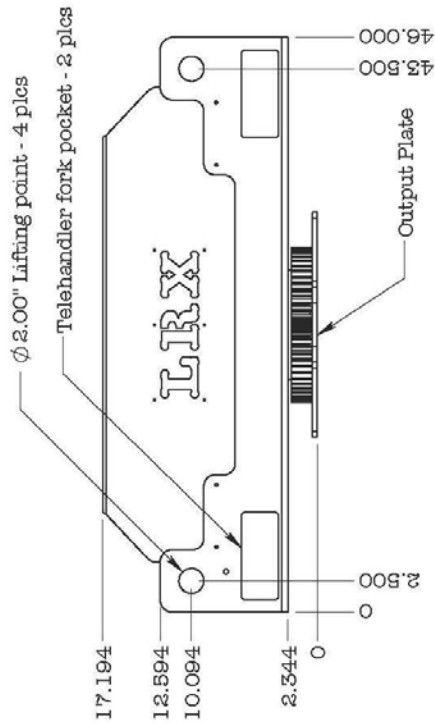
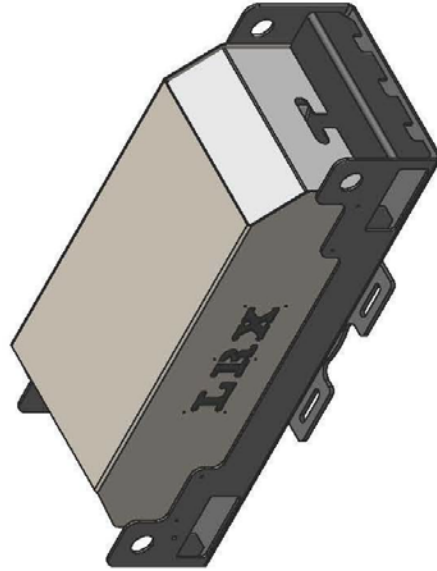


**SPECIFICATIONS SUBJECT TO CHANGE WITHOUT NOTICE
FOR THE LATEST MANUAL VISIT "dwightcrane.com"**

LRX™ 0-20 RPM Rotator

LRX

0-20 RPM ROTATOR



**SPECIFICATIONS SUBJECT TO CHANGE WITHOUT NOTICE
 FOR THE LATEST MANUAL VISIT "dwightcrane.com"**